

GG15 Stainless Steel Grab Handles

Features

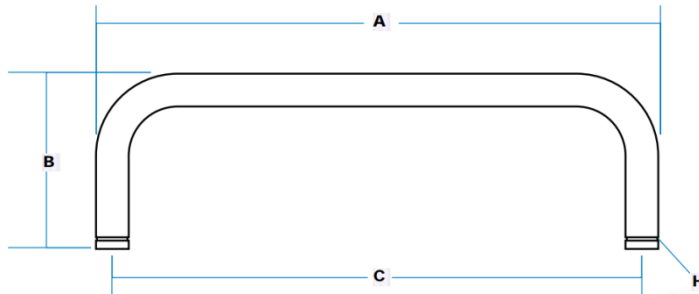
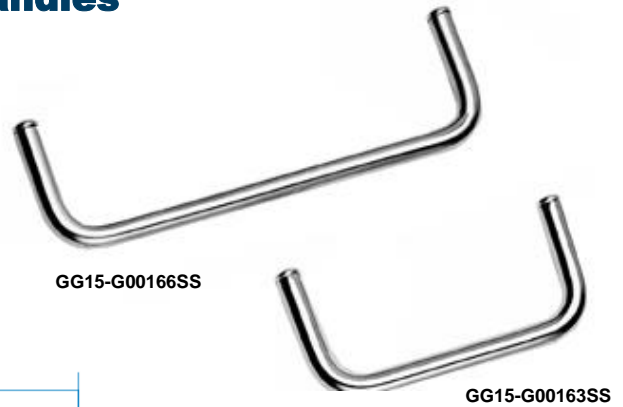
- Bright, polished
- Rolled from 9mm stainless steel bar

Material

- Stainless steel, bright polished

Notes

- Supplied with 2-off chromium-plated screws, M5x10mm



Part No.	A	B	C	D	Bar Diameter
GG15-G00163SS	104	50	96	M5	9
GG15-G00166SS	165		157		

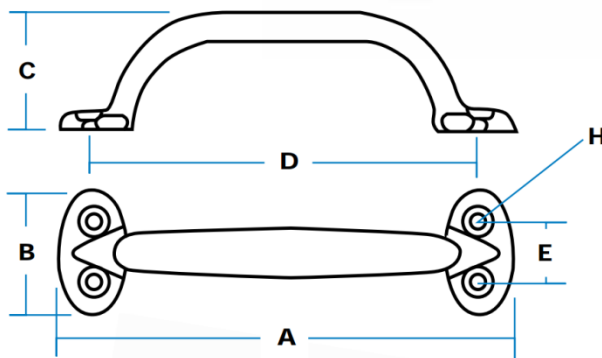
GG16 'Traditional' Grab Handles

Features

- Traditionally-styled handle for plant-on fitting

Material

- Hand-polished and chromium plated



Part No.	A	B	C	D	E	H
GG16-G20550	165	41	46	140	19	5 mm, c/s 10 mm